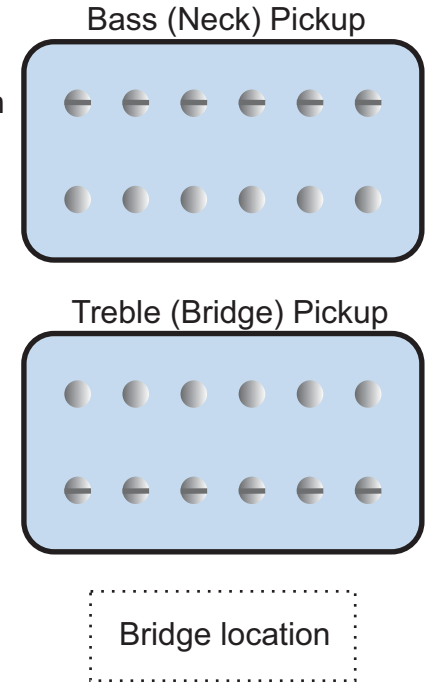
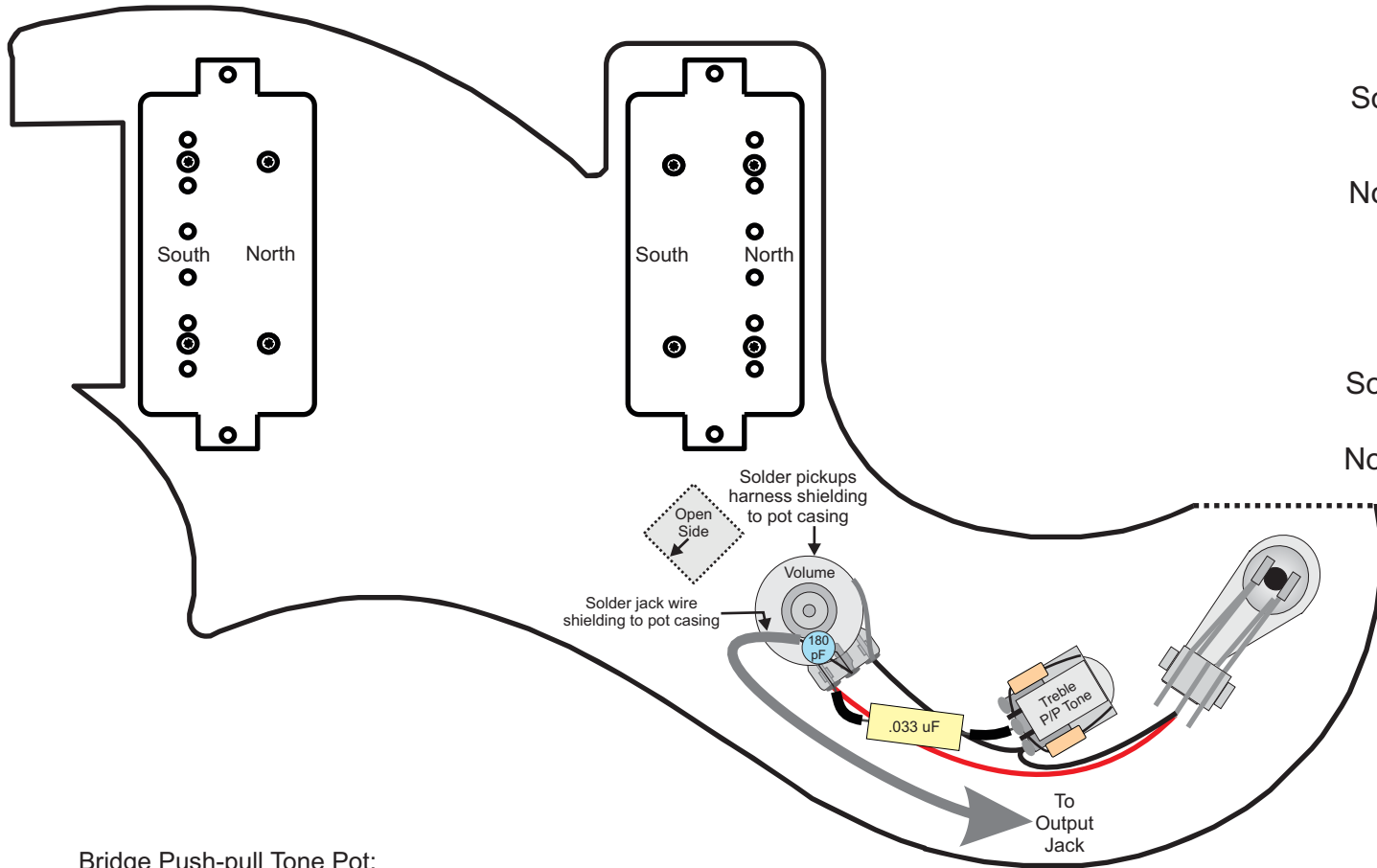
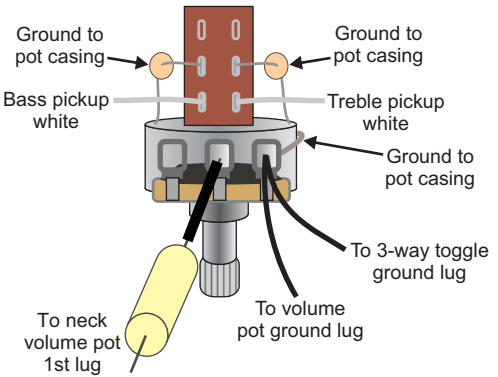


Model:
PRS S2 Vela HHT

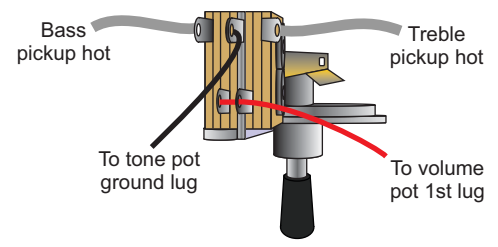
Note Pickup shape is just for reference.
All pickups using this diagram
shall be oriented in this manner.



Bridge Push-pull Tone Pot:



3-way Pickup Selector Switch:



Operating Instructions

- 3-way Toggle Pickup Switch:
 - Position 1 (down) - Treble Pickup
 - Position 2 - Treble and Bass Pickups
 - Position 3 (up) - Bass Pickup
- Push-Pull Tone Pot (treble pickup only):
 - Down - Humbucker Mode
 - Up - Single Coil Mode