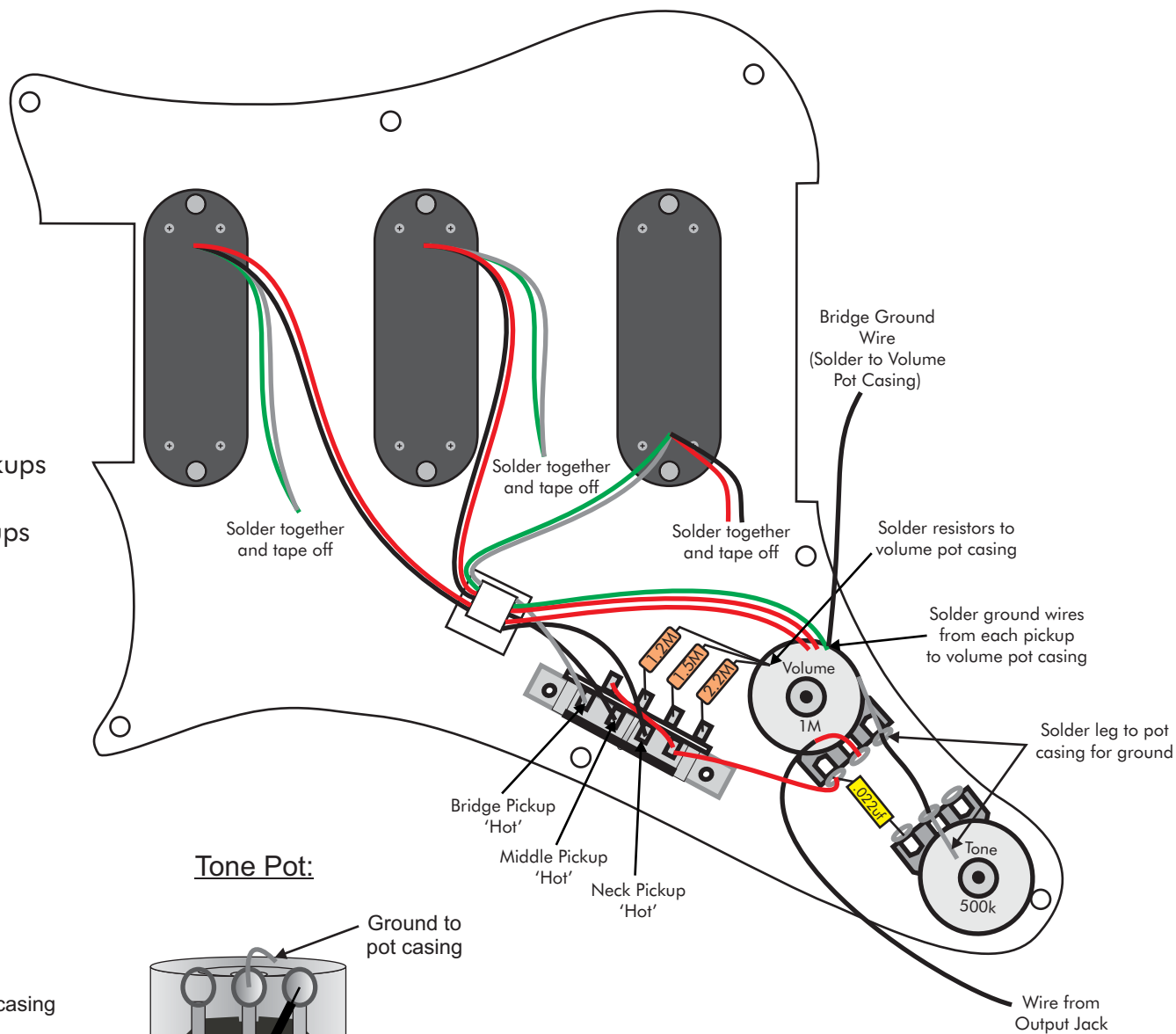


Used on these models:
 PRS SE NF3

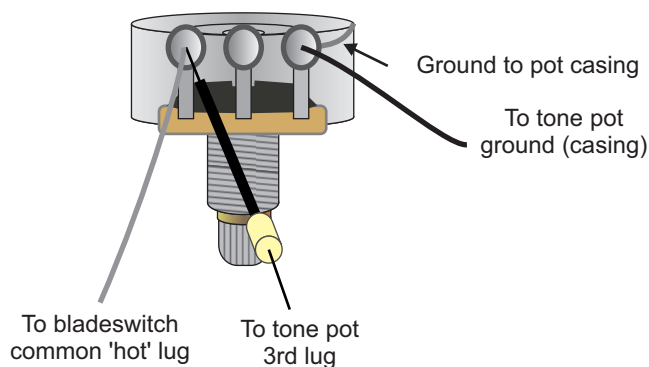
Operating Instructions

5-Way Blade Switch

- Position 1 (down) - Bridge Pickup
- Position 2 - Bridge and Middle Pickups
- Position 3 - Middle Pickup
- Position 4 - Middle and Neck Pickups
- Position 5 (up) - Neck Pickup



Volume Pot:



Tone Pot:

