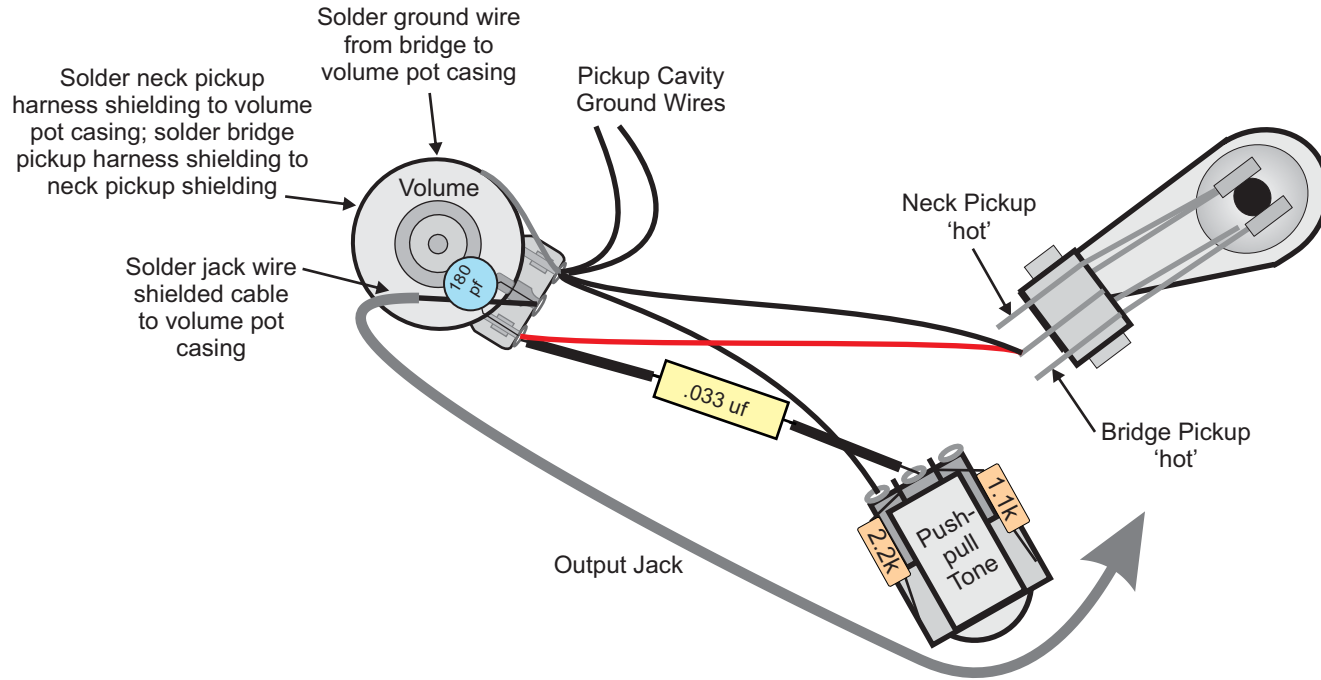
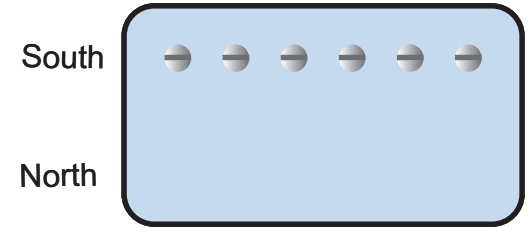


Model:
PRS McCarty

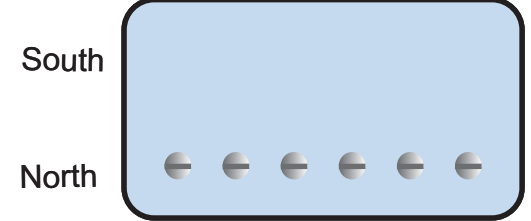


Note: Pickup shape is just for reference.
All pickups using this diagram shall be oriented in this manner.

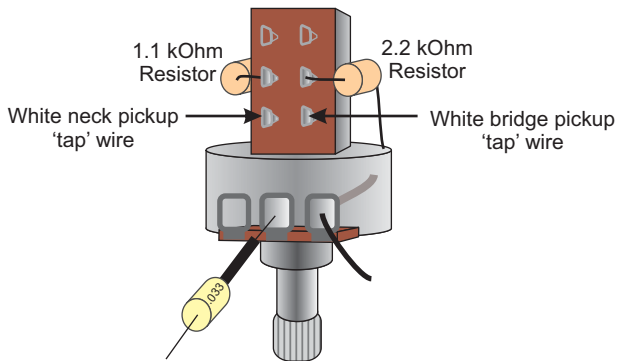
Bass (Neck) Pickup



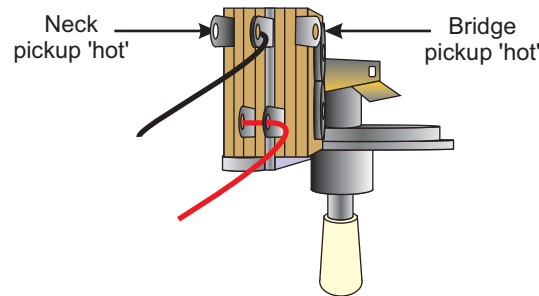
Treble (Bridge) Pickup



Push-pull Tone Pot:



3-way Pickup Selector Switch:



Operating Instructions

- 3-way toggle pickup switch:
 Position 1 (down) - Treble Pickup
 Position 2 - Treble and Bass Pickups
 Position 3 (up) - Bass Pickup
 Push-Pull Tone Pot:
 Down - Humbucker Mode
 Up - Single Coil Mode